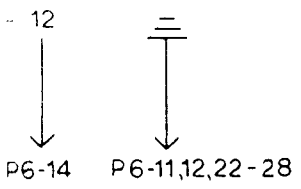
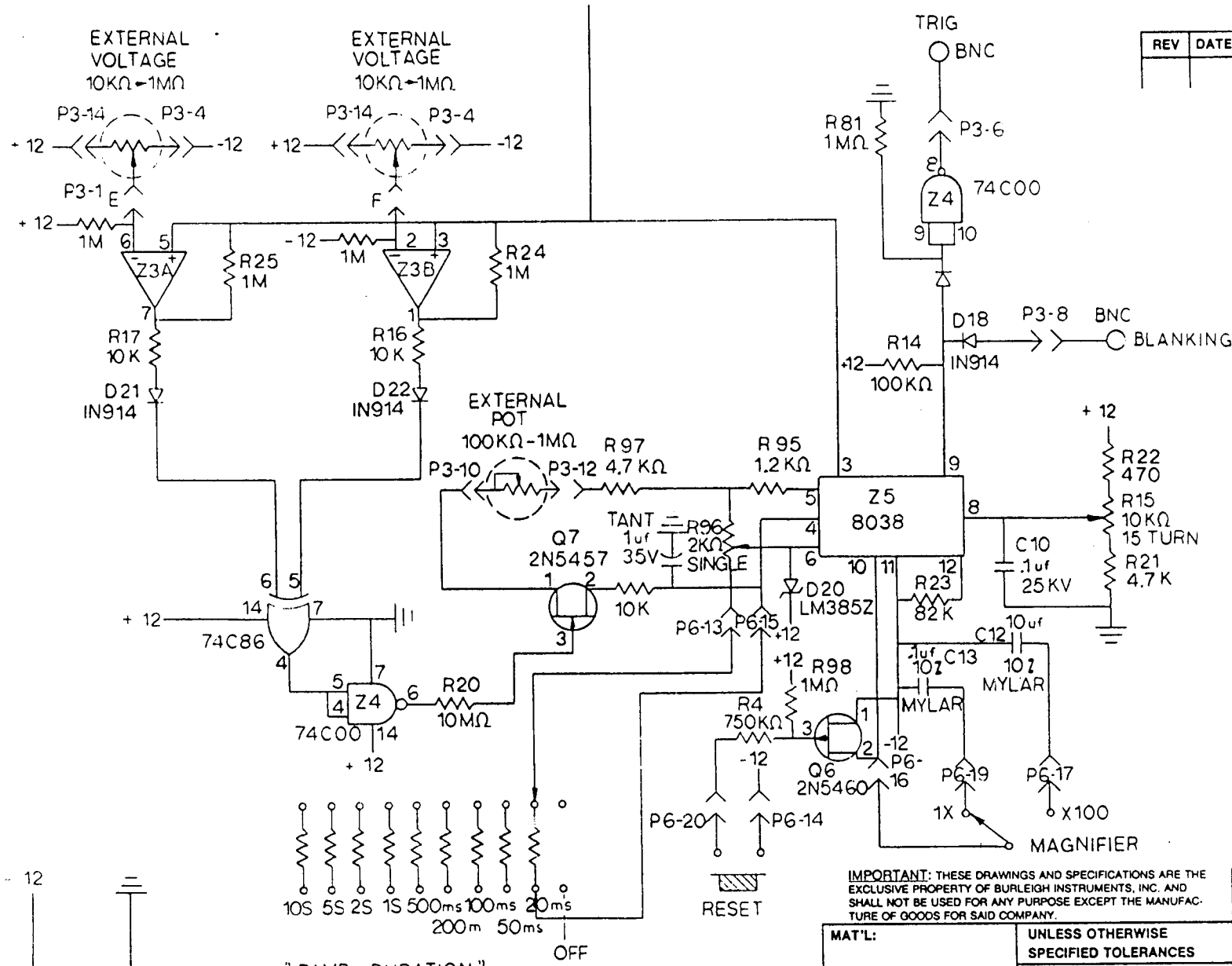


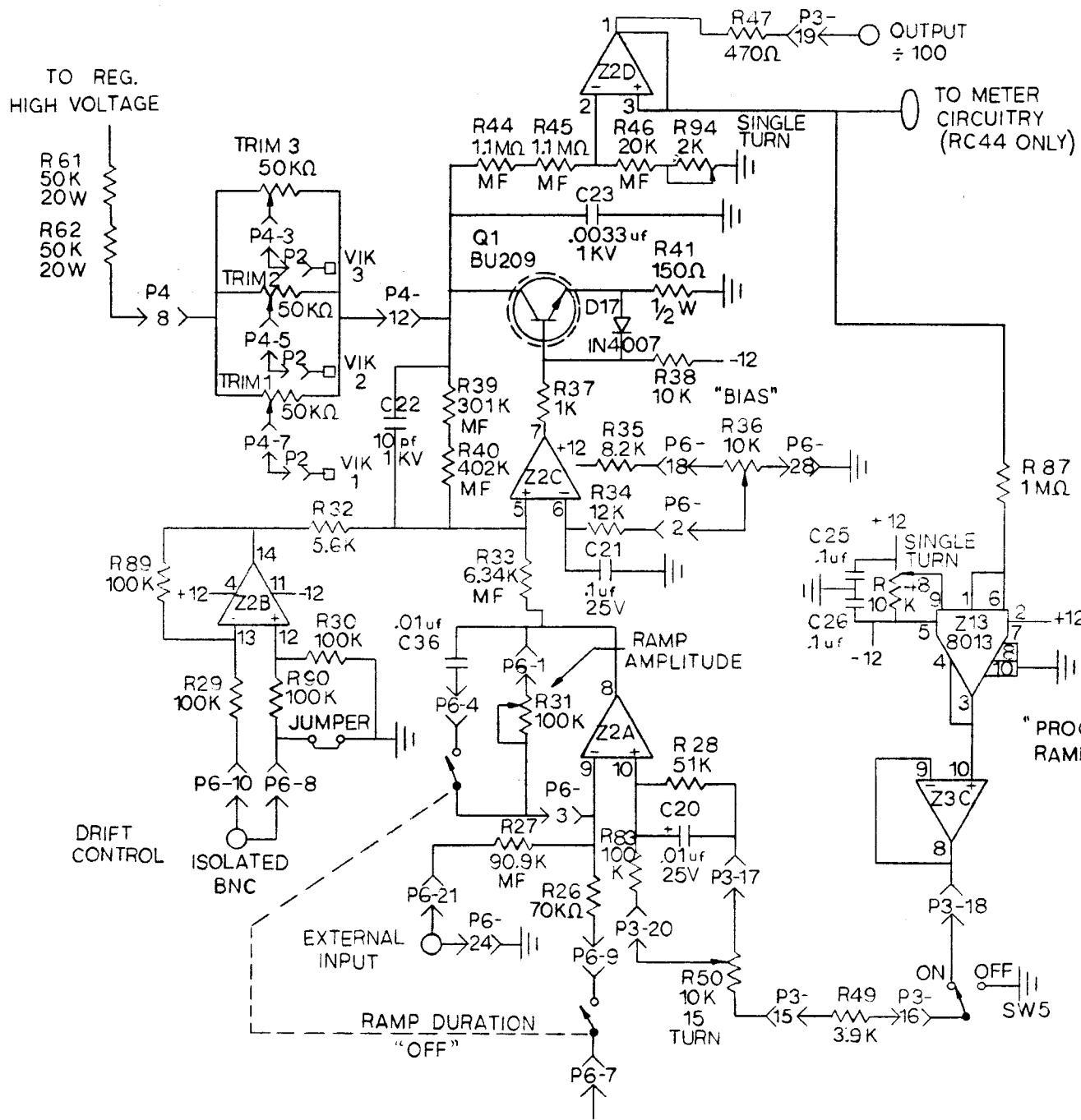
REV	DATE	DESCRIPTION	ECO #



IMPORTANT: THESE DRAWINGS AND SPECIFICATIONS ARE THE EXCLUSIVE PROPERTY OF BURLEIGH INSTRUMENTS, INC. AND SHALL NOT BE USED FOR ANY PURPOSE EXCEPT THE MANUFACTURE OF GOODS FOR SAID COMPANY.

MATERIAL:	UNLESS OTHERWISE SPECIFIED TOLERANCES	
	2 PLACE ± .010	3 PLACE ± .005
CHEM FIN:	ANG ±	
	SURF FIN	

BURLEIGH INSTRUMENTS INC.	
PROD: RC 43/44	
NAME: RAMP GENERATOR	
DATE: 9-21-83	DRWN: D.S.W.
SCALE:	CHKD:
B-S/A-B-01788-01 SHEET 1 OF 2	

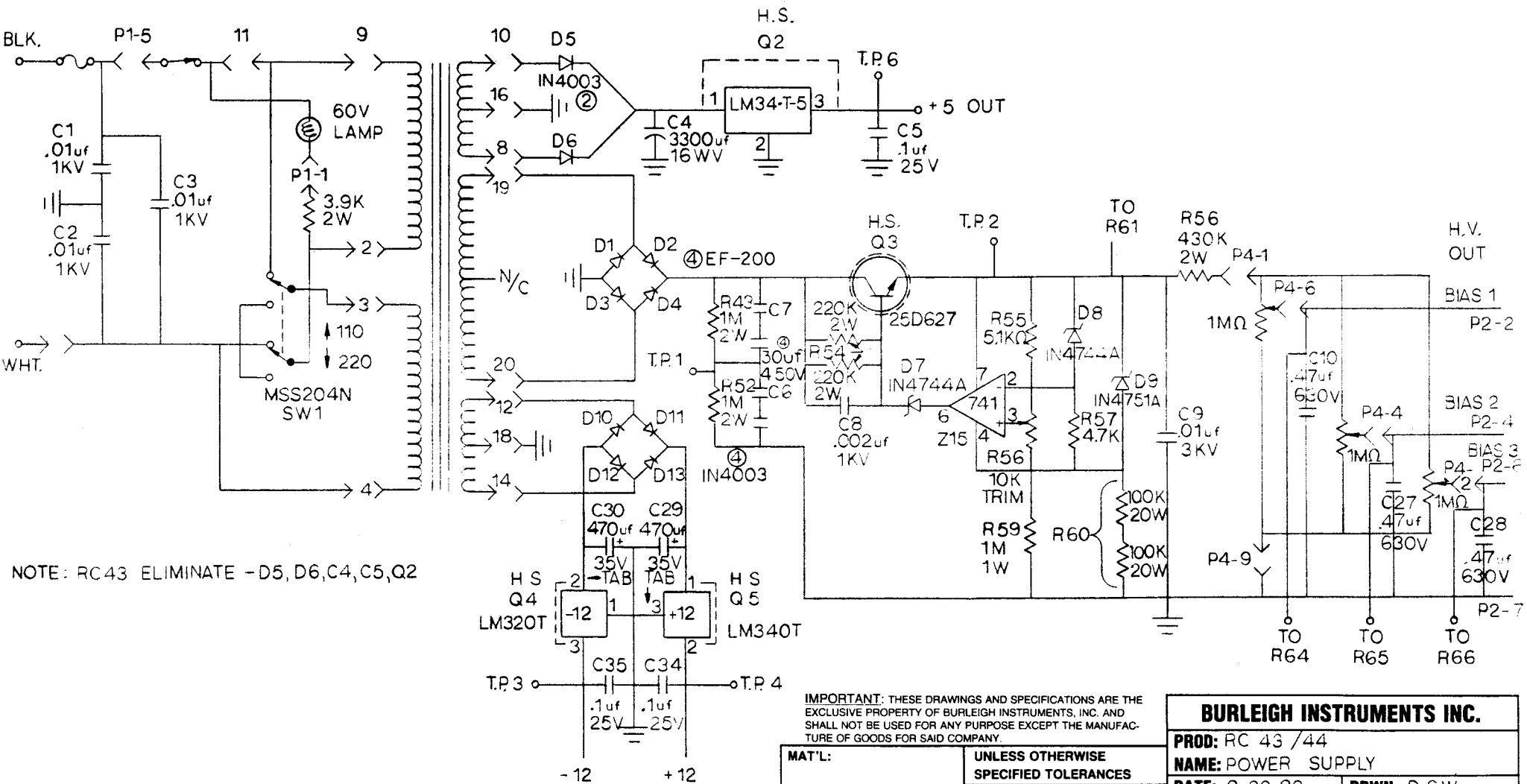


REV	DATE	DESCRIPTION	ECO #

BURLEIGH INSTRUMENTS INC.	
PROD: RC43/44	
NAME: RAMP GENERATOR	
DATE: 9-23-83	DRWN: D.S.W.
SCALE:	CHKD:
B-S/A-B-01788-01 SHEET 2 OF 2	

DYCO2914

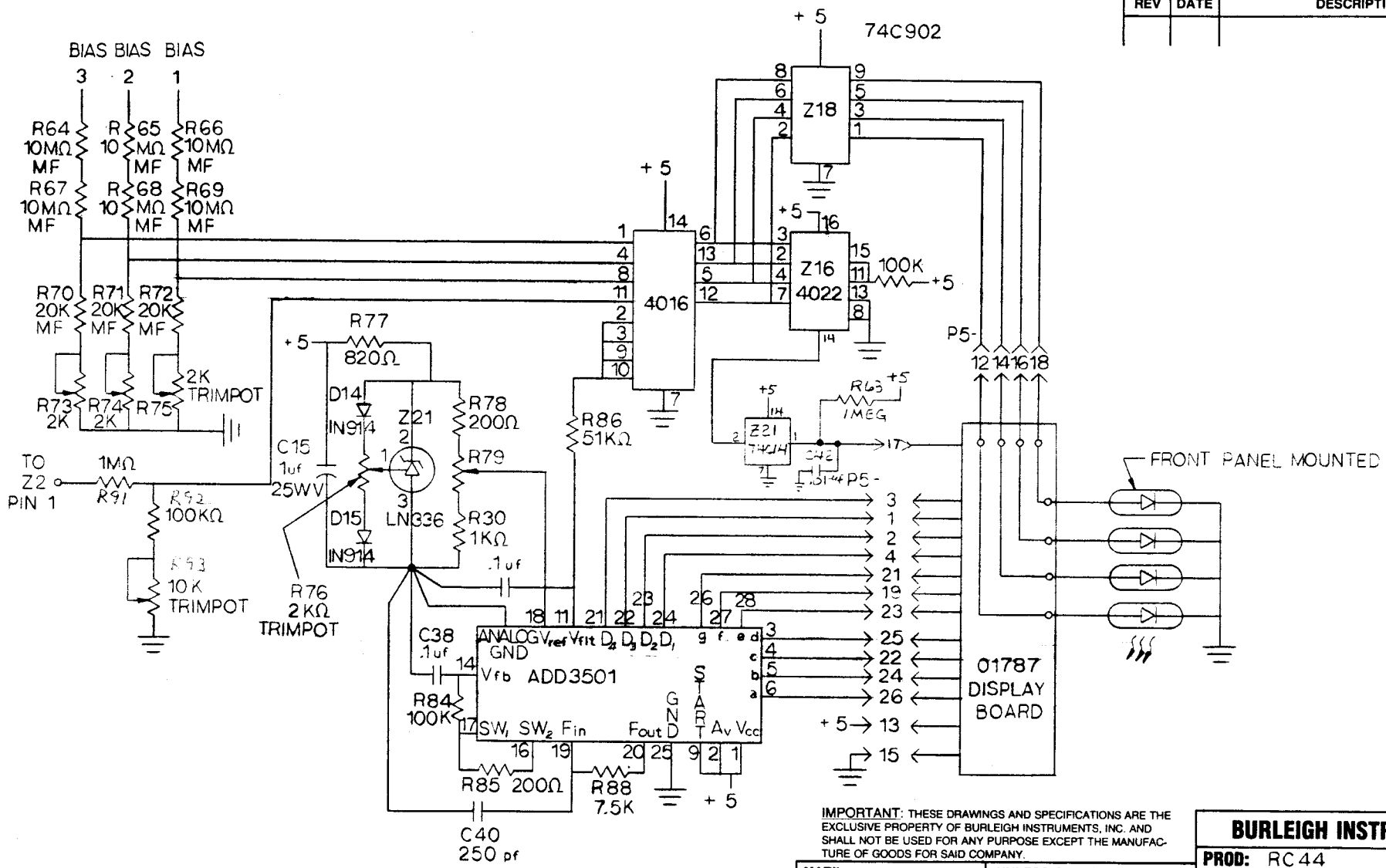
REV	DATE	DESCRIPTION	ECO #
A	5-83	Chgd R56, R60, D1-4, C6, C7	611



NOTE: RC43 ELIMINATE -D5, D6, C4, C5, Q2

IMPORTANT: THESE DRAWINGS AND SPECIFICATIONS ARE THE EXCLUSIVE PROPERTY OF BURLEIGH INSTRUMENTS, INC. AND SHALL NOT BE USED FOR ANY PURPOSE EXCEPT THE MANUFACTURE OF GOODS FOR SAID COMPANY.

MAT'L: UNLESS OTHERWISE SPECIFIED TOLERANCES 2 PLACE ± .010 3 PLACE ± .005 ANG ± SURF FIN		BURLEIGH INSTRUMENTS INC.	
		PROD: RC 43 /44 NAME: POWER SUPPLY	
CHEM FIN:		DATE: 9-22-83	DRWN: D.S.W.
		SCALE:	CHKD:
		B-S/A-B-01788-02	

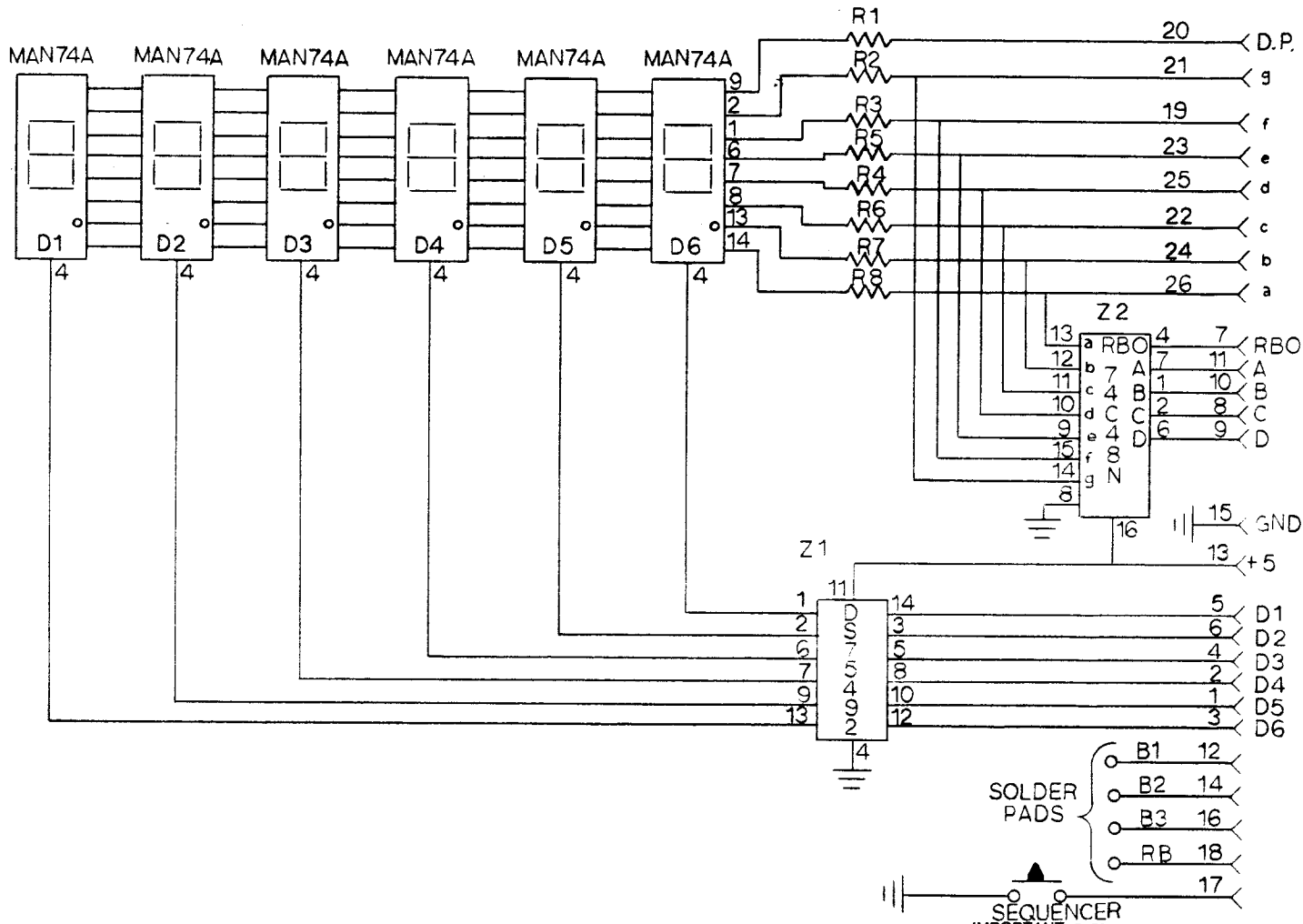


REV	DATE	DESCRIPTION	ECO #

IMPORTANT: THESE DRAWINGS AND SPECIFICATIONS ARE THE EXCLUSIVE PROPERTY OF BURLEIGH INSTRUMENTS, INC. AND SHALL NOT BE USED FOR ANY PURPOSE EXCEPT THE MANUFACTURE OF GOODS FOR SAID COMPANY.

BURLEIGH INSTRUMENTS INC.	
PROD: RC 44	
NAME: DIGITAL VOLTMETER/SEQUENCER	
DATE: 9-22-83	DRWN: D S W
SCALE:	CHKD:
B-S/A-B-01788-03	

MAT'L:	UNLESS OTHERWISE SPECIFIED TOLERANCES
	2 PLACE ± .010 3 PLACE ± .005
CHEM FIN:	ANG ± SURF FIN



REV	DATE	DESCRIPTION	ECO #

IMPORTANT: THESE DRAWINGS AND SPECIFICATIONS ARE THE EXCLUSIVE PROPERTY OF BURLEIGH INSTRUMENTS, INC. AND SHALL NOT BE USED FOR ANY PURPOSE EXCEPT THE MANUFACTURE OF GOODS FOR SAID COMPANY.

BURLEIGH INSTRUMENTS INC.			
MAT'L:		UNLESS OTHERWISE SPECIFIED TOLERANCES	
CHEM FIN:		2 PLACE ± .010	3 PLACE ± .005
		ANG ±	SURF FIN
PROD: RC 44		NAME: DISPLAY BOARD	
DATE: 9-21-83		DRWN: D.S.W.	
SCALE:		CHKD:	
B-S/A-B-01787			